



# DISPLAY WARMER

SERVING THE FOOD INDUSTRY SINCE 1951

## COUNTER TOP CHIP WARMER

Item: 43452

Model: FW-CN-0300-C



During constant service, it's important to keep your food at its ideal temperatures to satisfy your hungry customers. Stay true to this by making sure your fries maintain their out-of-the-fryer temperature with this countertop chip warmer. Adjust the temperature to your liking; ranging from 45°-75°C / 113°-167°F. You'll be free of any excess oil spilling around your food thanks to its oil tray located underneath the removable food pan. Give the finishing touches to your fan-favorite fries with a little salt; you can do so with the included salt shaker. This stainless steel unit is perfect for concession stands, fairs and restaurants that sell hot and crispy French fries.



**WARRANTY**  
PARTS AND LABOR

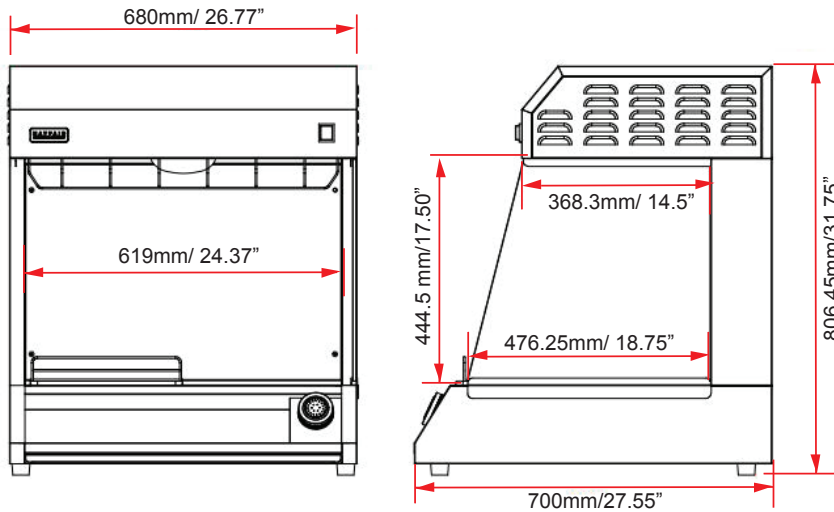


Authorized Dealer

# DISPLAY WARMER COUNTER TOP CHIP WARMER



## DIMENSIONS AND FEATURES



### Features:

- Made of stainless steel
- Temperature range: 45° - 75°C/ 113° - 167°F
- Removable food pan
- Oil tray underneath
- Salt shaker included

### TECHNICAL SPECIFICATION

ITEM NUMBER	43452
MODEL	FW-CN-0300-C
POWER	300 W
TEMPERATURE RANGE	45° - 75°C/ 113° - 167°F
ELECTRICITY	110V/60Hz
DIMENSIONS (WDH)	26.77" x 27.55" x 31.75" / 680 x 700 x 808.45 mm
GROSS DIMENSIONS	30" x 30" x 34" / 762 x 762 x 863.6 mm
GROSS WEIGHT	85 lbs/ 38.6 kg

NEMA  
5 - 20R  
125 VAC / 20 AMP  
RECEPTACLE



## OMCAN INC.

Telephone: 1-800-465-0234  
Fax: (905) 607-0234  
Email: sales@omcan.com  
Website: www.omcan.com



Follow us to keep up to date with the latest news and offers

